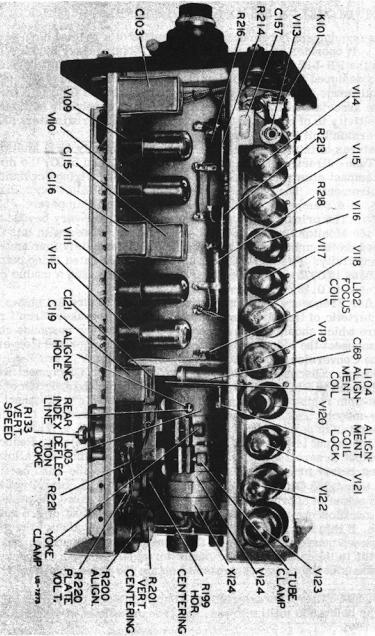
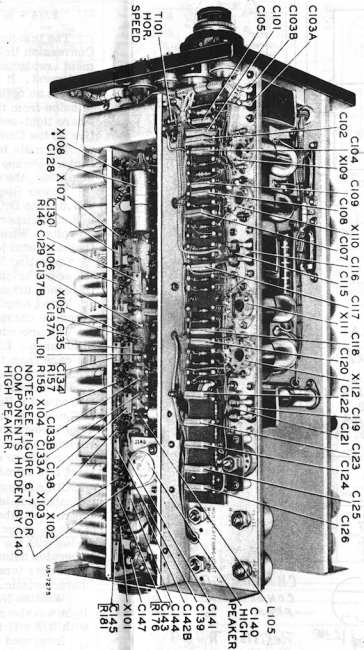
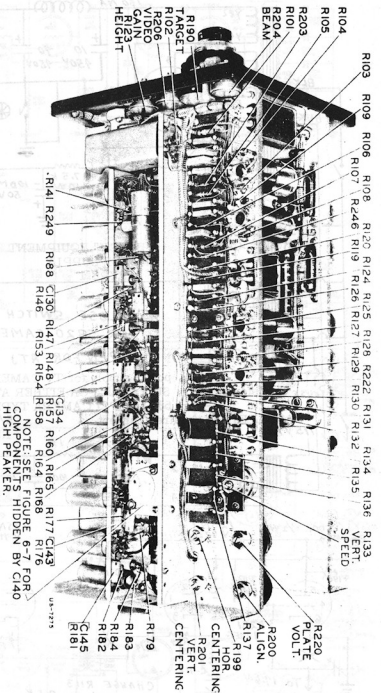
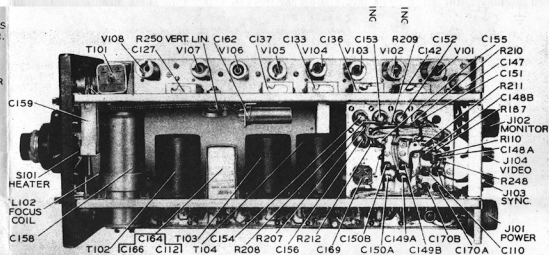
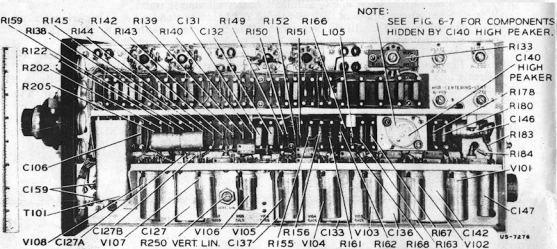


*DC VOL-TAGES FOLLOWED BY AN Asterisk ARE NOMINAL SUPPLY VOLTAGES.
 **DC VOL-TAGES NOT FOLLOWED BY AN Asterisk ARE ACTUAL MEASURED VOLTAGES AND MAY VARY CONSIDERABLY FROM THE ABOVE.
 †RESISTANCE VALUES FOLLOWED BY AN Asterisk ARE IN OHMS FOR 50% TOLERANCE UNLESS OTHERWISE SPECIFIED.
 ‡RESISTANCE VALUES NOT FOLLOWED BY AN Asterisk ARE IN OHMS UNLESS OTHERWISE SPECIFIED.
 §ALL CAPACITANCE VALUES ARE IN MICROFARADS UNLESS OTHERWISE SPECIFIED.

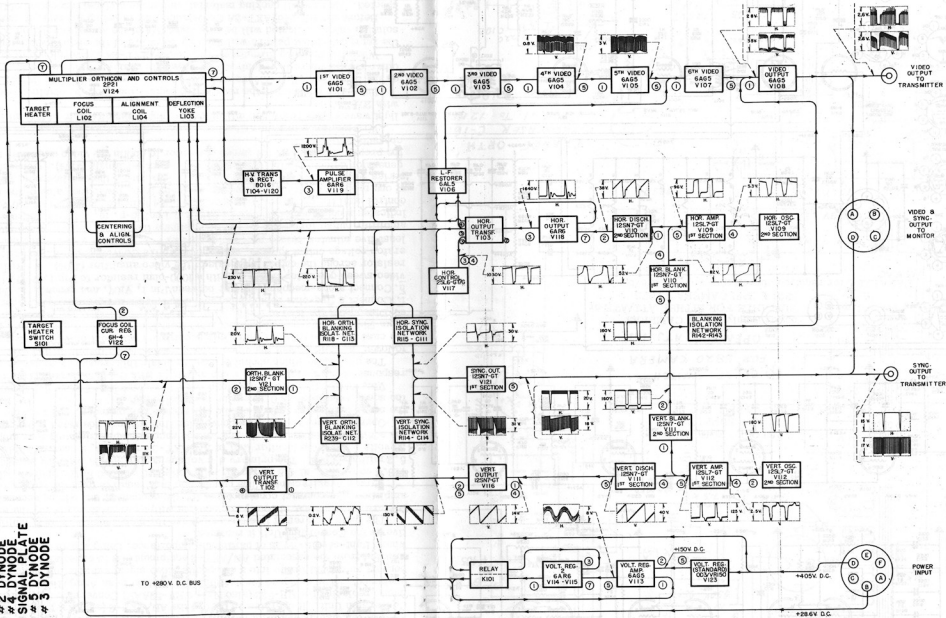




PIN CONNECTIONS ON TUBE BASE

- 10 - #2 GRID & #1 DYNODE
- 11 - INTERNAL CONNECTION
- 12 - #1 GRID
- 13 - CATHODE
- 14 - HEATER

- 1 - HEATER
- 2 - #4 GRID
- 3 - #3 GRID
- 4 - INTERNAL CONNECTION
- 5 - #2 DYNODE
- 6 - #1 DYNODE
- 7 - SIGNAL PLATE
- 8 - #5 DYNODE
- 9 - #5 DYNODE



NOTE:
 SMALL NUMBERS IN CIRCLES ARE
 TUBE SOCKET PIN NUMBERS
 AND TRANSFORMER TERMINAL NUMBERS
 WAVE SHAPES WERE MEASURED WITH
 MONITOR CONNECTED AND TRANSMITTER DISCONNECTED

FIGURE 8-3
 FUNCTIONAL BLOCK DIAGRAM