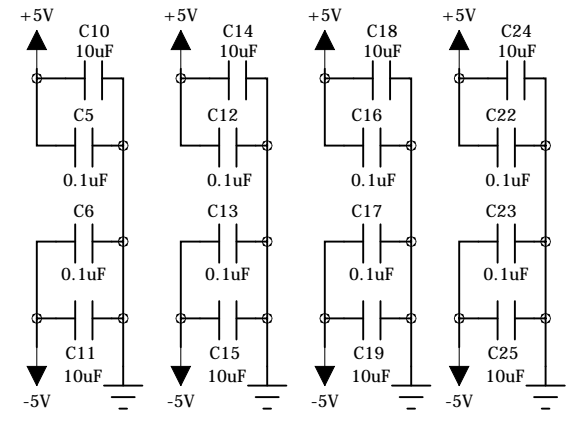


PLACE ONE NETWORK AT EACH OF U1, U2, U3 & U5



IC POWER PINS: +5V -5V GND
 U1 - U3 MAX4395: 4 11
 U5 DG211: 13 4 5

